

For reference only. See data sheet for the detailed specifications.

Technical Specification



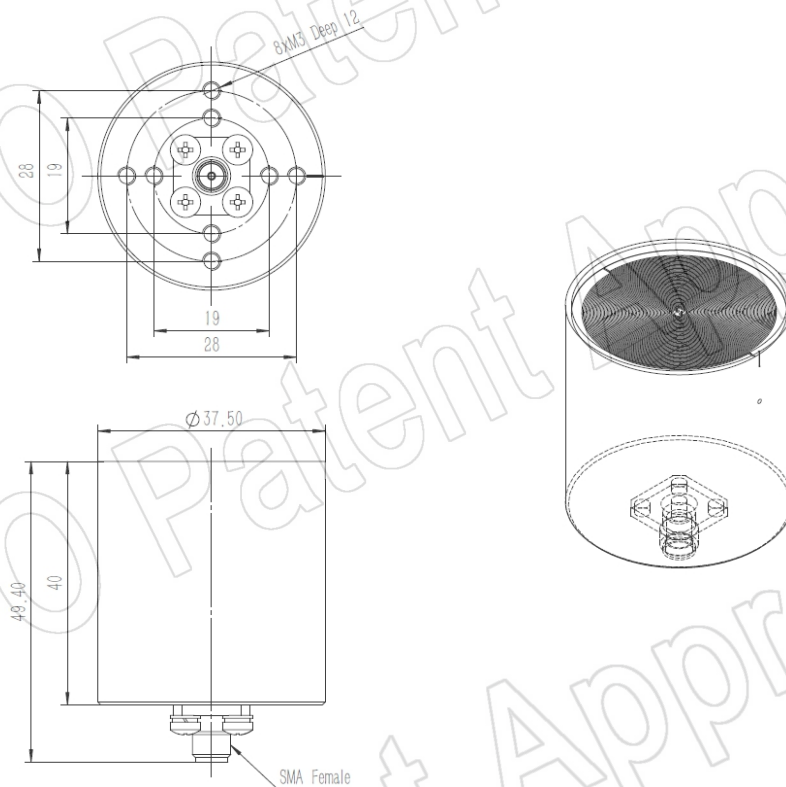
| | |
|----------------------|--------------------|
| Frequency Range(GHz) | 4.0 – 18.0 |
| Gain(dBic) | -1.0 - 6.0 |
| | 3.0 Typ. |
| Polarization | RHCP or LHCP |
| Axial Ratio(dB) | 2.0 Typ. |
| | 3.5 Max. |
| 3dB Beamwidth(deg) | E Plane: 120 - 52 |
| | H Plane: 105 - 56 |
| VSWR | 2.0:1 Typ. |
| | 3.0:1 Max. |
| Connector | SMA-Female |
| Material | Al |
| Size(mm) | 37.5 x 37.5 x 49.4 |
| Net Weight(Kg) | 0.06 Around |

PATENT ID (China)

ZL201921373071.0

Outline Drawing (Size: mm)

SMA-Female Output (P/N: LX-40180_RHCP or LX-40180_LHCP)



AINFO Inc.

China(Beijing):
China(Chengdu):
USA :

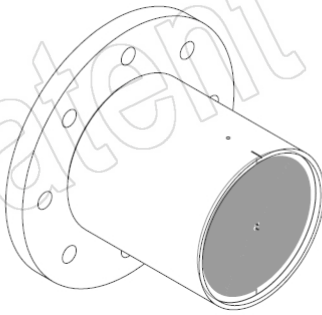
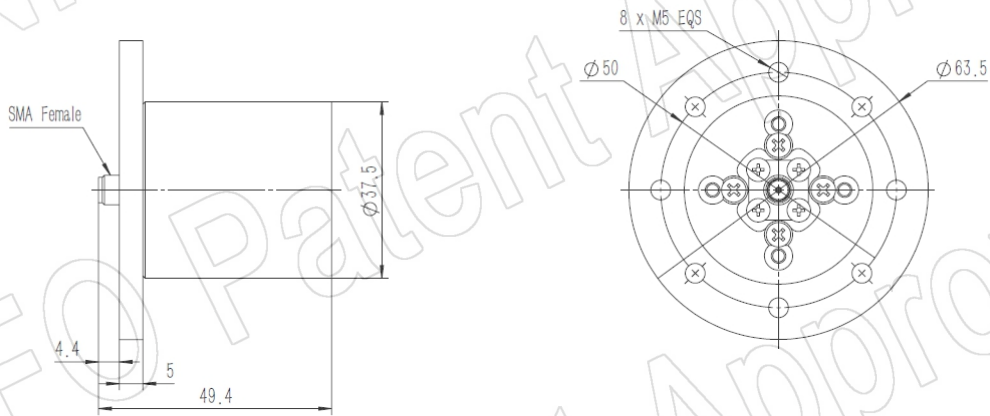
Tel: (+86) 10-6266-7326,
Tel: (+86) 28-8519-2786,
Tel: (+1) 949-639-9688,

(+86) 10-6266-7327
(+86) 28-8519-3044
(+1) 949-639-9608

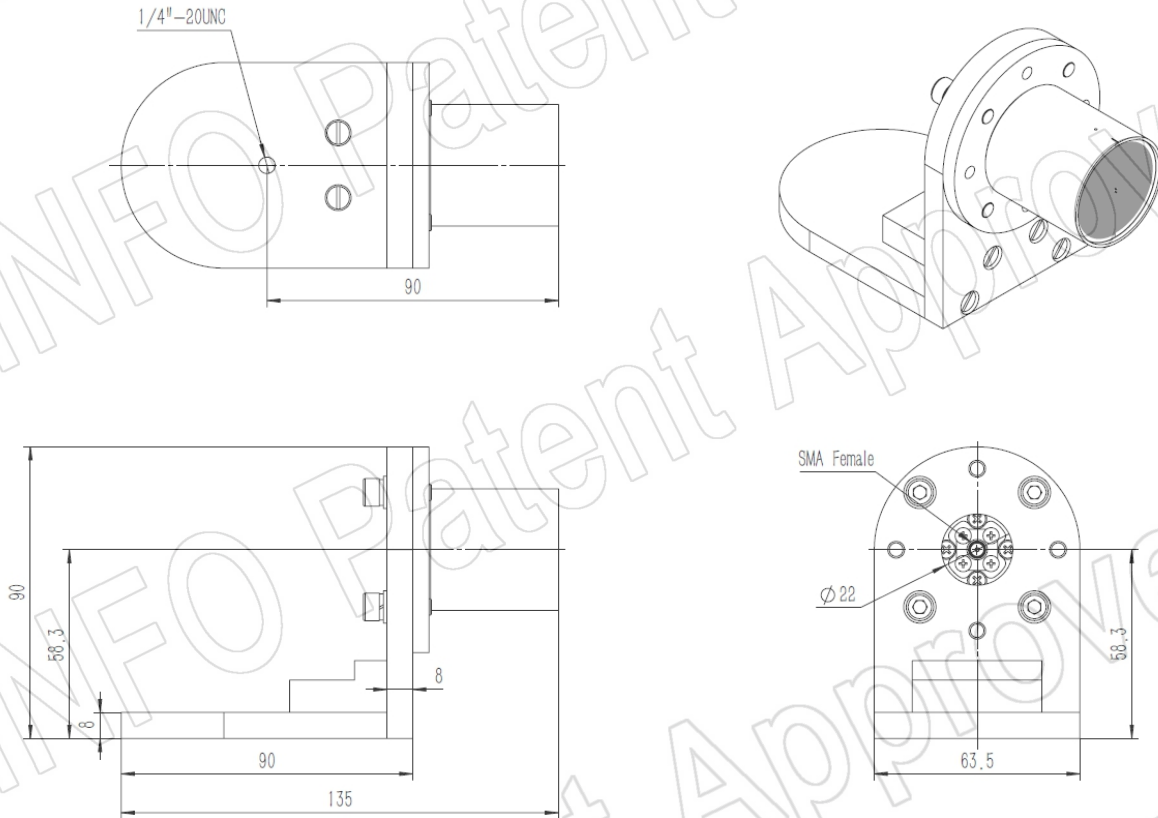
Fax: (+86) 10-6266-7379
Fax: (+86) 28-8519-3068
Fax: (+1) 949-639-9670

Website: www.ainfoinc.com
Email: sales@ainfoinc.com

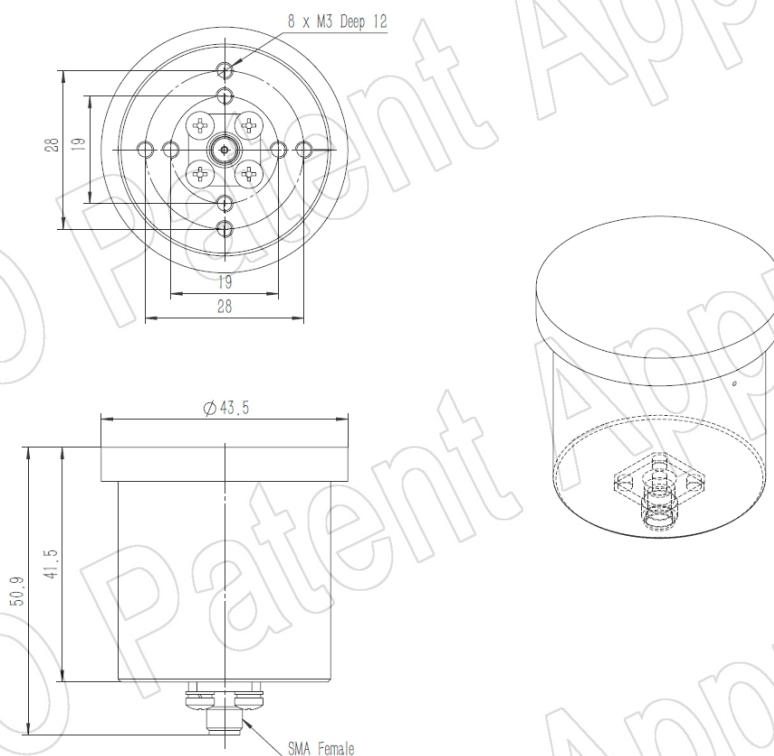
SMA-Female Output with Round Mounting Bracket (Option, P/N: LX-40180-MB)



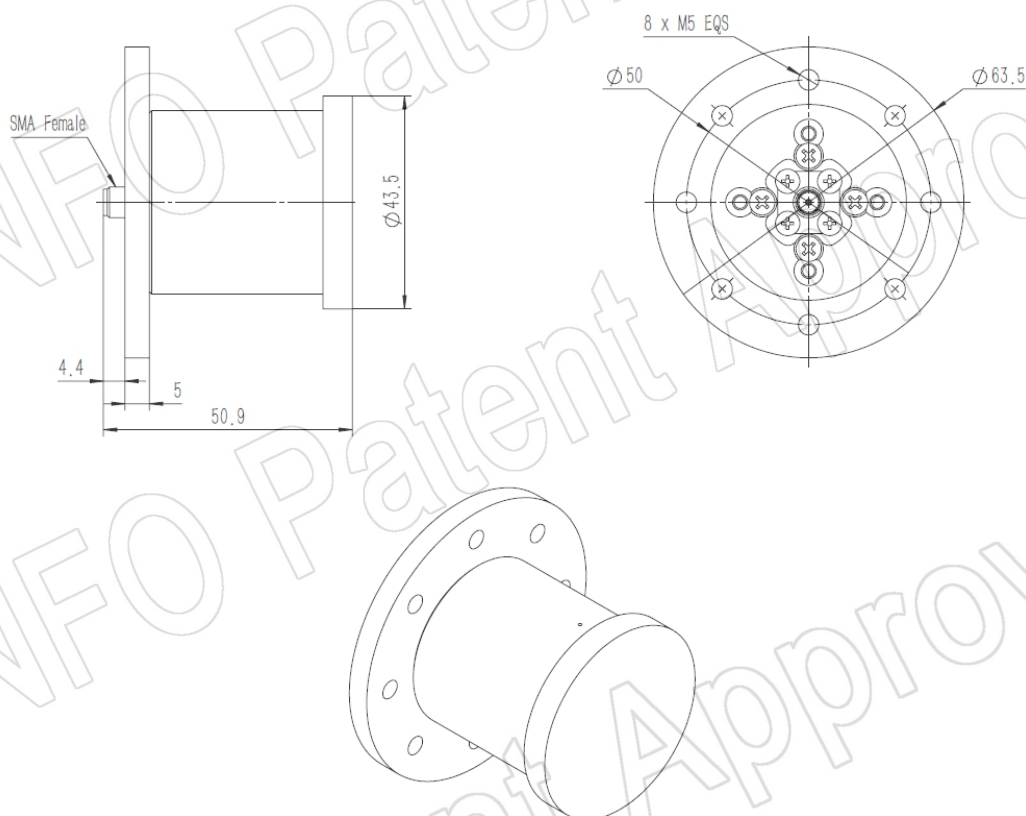
SMA-Female Output with L Type Mounting Bracket (Option, P/N: LX-40180-MBL)



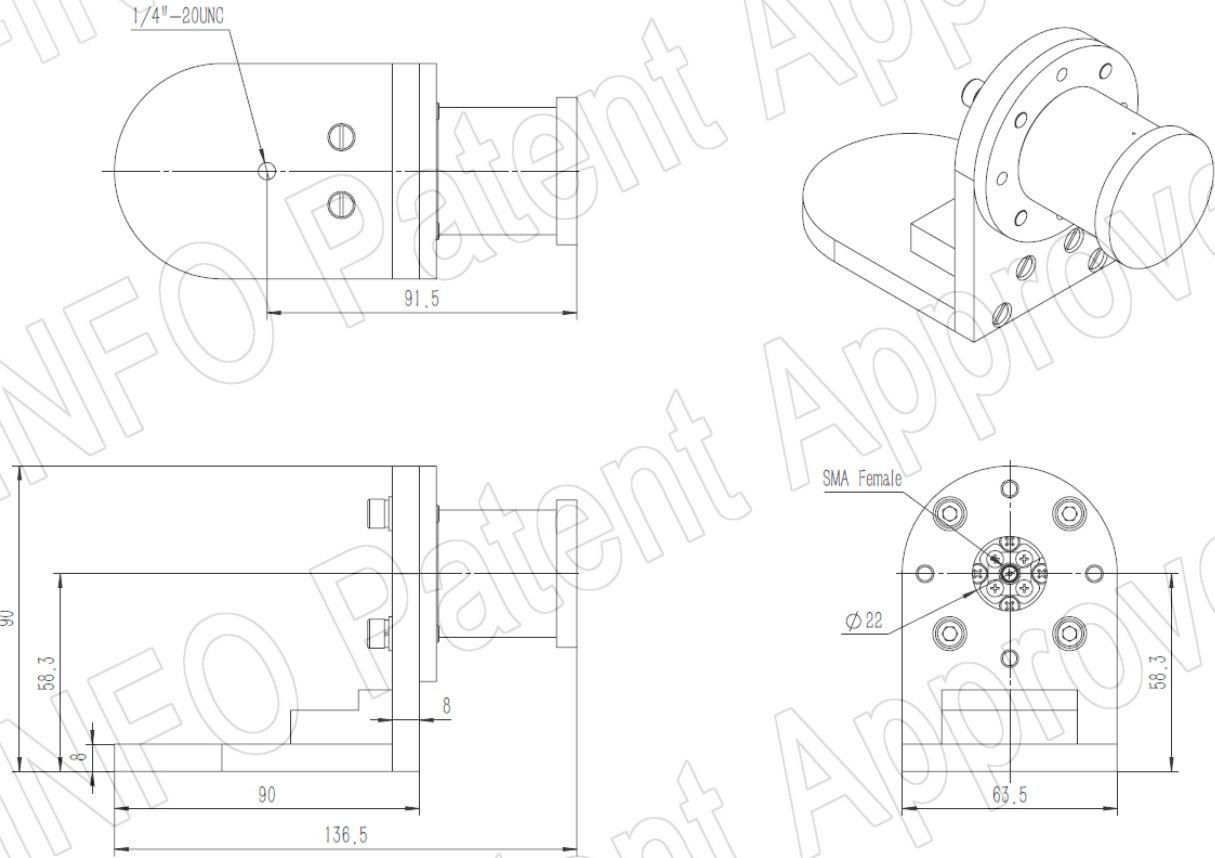
SMA-Female Output with Radome (Option, P/N: LX-40180_RHCPSP0 or LX-40180_LHCPSP0, Outdoor Application)



SMA-Female Output with Round Mounting Bracket & Radome (Option, P/N: LX-40180-MB & LX-40180_RHCPSP0 or LX-40180_LHCPSP0, Outdoor Application)



SMA-Female Output with L Type Mounting Bracket & Radome (Option, P/N: LX-40180-MBL & LX-40180_RHCPSP0 or LX-40180_LHCPSP0, Outdoor Application)



AINFO Inc.

China(Beijing):
China(Chengdu):
USA :

Tel: (+86) 10-6266-7326,
Tel: (+86) 28-8519-2786,
Tel: (+1) 949-639-9688,

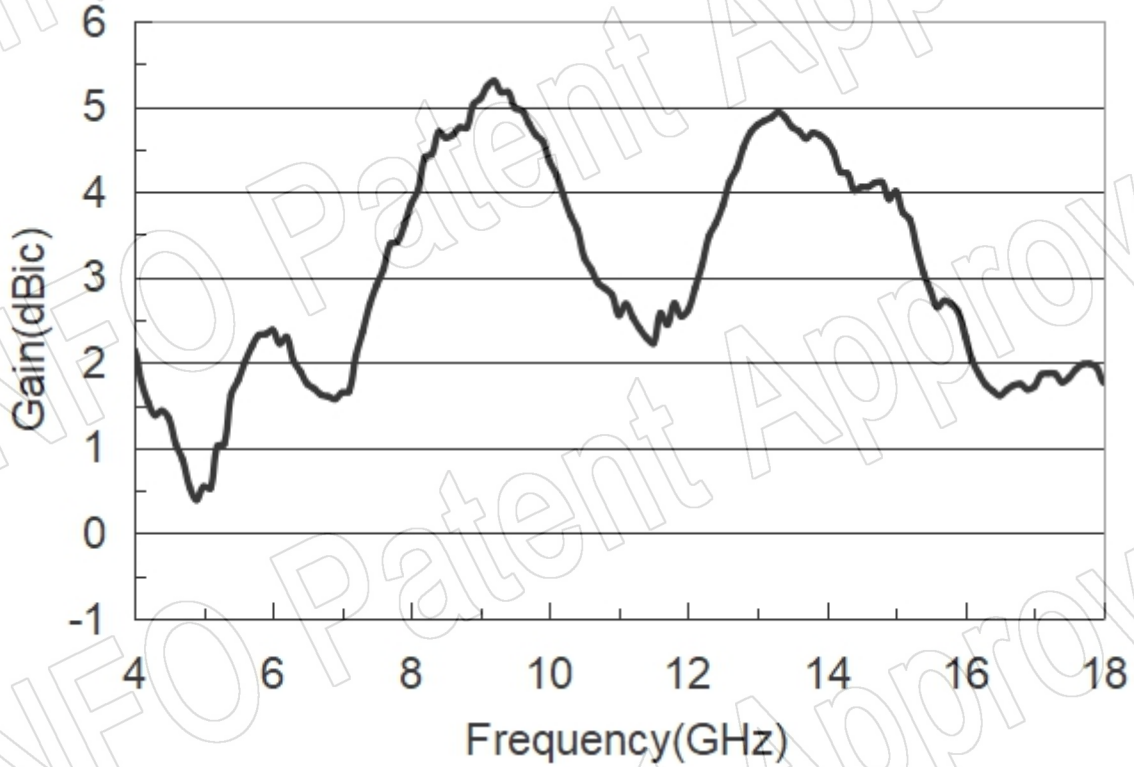
(+86) 10-6266-7327
(+86) 28-8519-3044
(+1) 949-639-9608

Fax: (+86) 10-6266-7379
Fax: (+86) 28-8519-3068
Fax: (+1) 949-639-9670

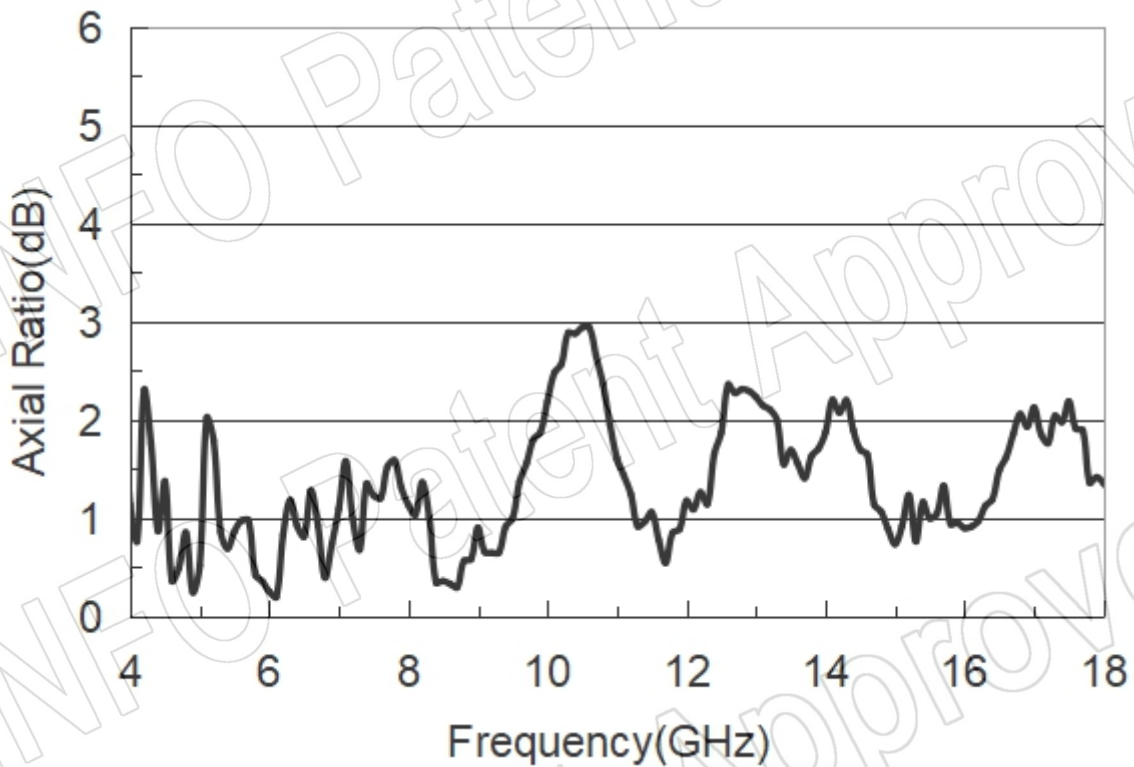
Website: www.ainfoinc.com
Email: sales@ainfoinc.com

Test Results

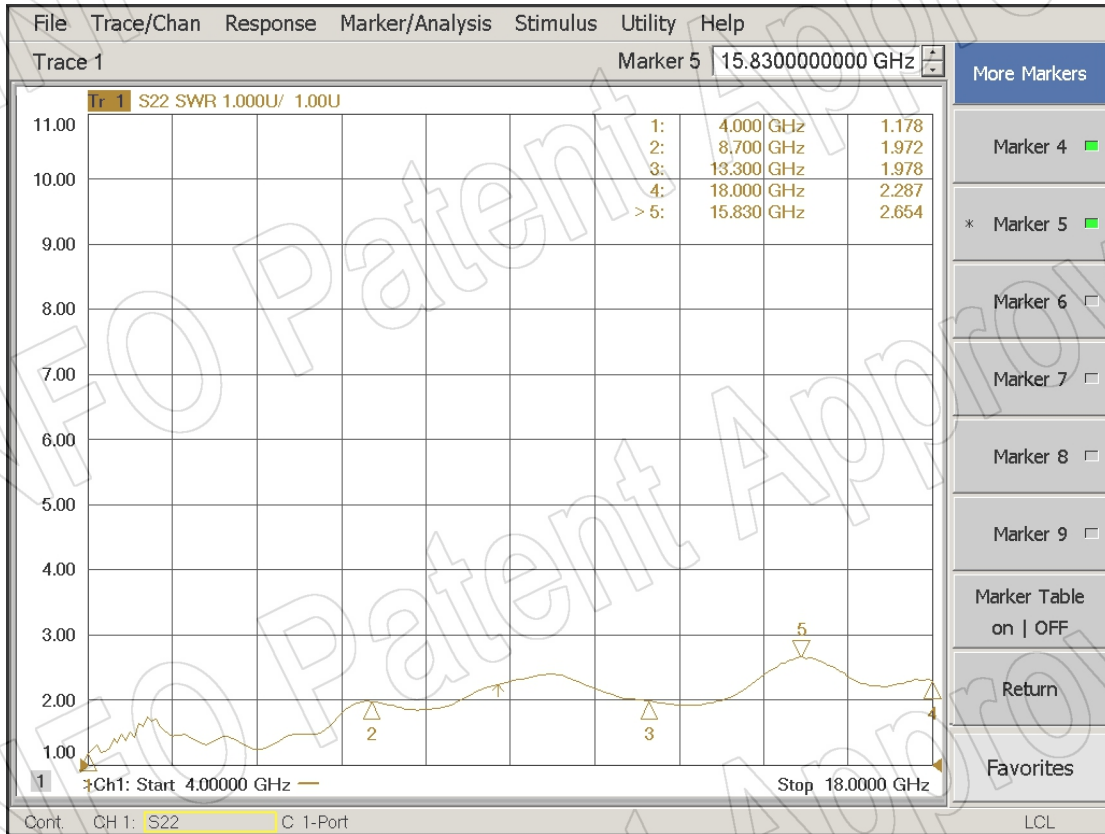
1. Gain



2. Axial Ratio



3. VSWR



5. Pattern

